

Perfect PEAK[®]

FIXED FLOW SPLITTERS

mott
MISSION CRITICAL PRECISION

PerfectPeak[®] Fixed Flow Splitters offer **ACCURATE SPLITS** and **ANTI-CLOG TECHNOLOGY** with **5 µL INTERNAL VOLUME** for Low Dispersion in Mass Spectrometry

DESCRIPTION

PerfectPeak[®] Fixed Flow Splitters allow accurate splitting to multiple detectors in post-column analysis, as well as adding unique capability in pre-column applications. With finger tight fittings, Mott proprietary designs allow for extremely low internal volume resulting in minimal dispersion. Equipped with easily interchangeable splits and a 0.1 µm replaceable pre-filter, the flow splitter will operate maintenance-free for extended periods.



PRODUCT SPECIFICATIONS

Internal Volume	5 µL Internal Volume
Filter	0.1 Micron Anti-Clog Replaceable Inlet Filter
Material of Construction	Acid Passivated 316(L) Stainless Steel Body / PEEK Seals
Pressure Rating	15,000 PSIG
Connection Type	Finger Tight Female Compression Fittings**
Connection Size	1/16" / 1.59 mm Compression Fittings
Available Flows	0.1 - 5 mL / min
Pressure Drop Across Splitter	675 PSI +/- 25 PSI (Water)

*Custom configurations are available upon request

** Not compatible with Viper Fittings

SPLITTER CARTRIDGE OPTIONS

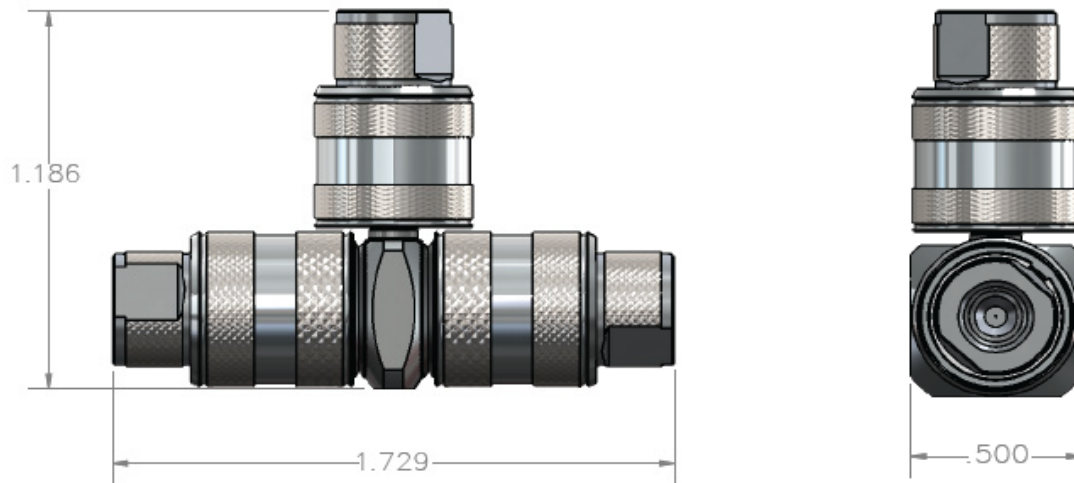
Typical Replacement Cartridge Sets				
Ratio 1:1	Ratio 2:1	Ratio 3:1	Ratio 5:1	Ratio 10:1



Custom Flow Splits Available Upon Request

Perfect PEAK[®]

PRODUCT DRAWING



ORDERING INFORMATION

Splitter Package	Part Number	Height Inches/mm	Length Inches/mm	Width Inches/mm
FLOW SPLITTER 1:1	5300001	1.186 / 30.12	1.729 / 43.92	0.500 / 12.7
FLOW SPLITTER 2:1	5300002			
FLOW SPLITTER 3:1	5300003			
FLOW SPLITTER 5:1	5300005			
FLOW SPLITTER 10:1	5300010			
Replacement Cartridges	Part Number	Description		
1:1 CARTRIDGE SET	5300101	1 Pack Contains HiFlow & LowFlow Split		
2:1 CARTRIDGE SET	5300102			
3:1 CARTRIDGE SET	5300103			
5:1 CARTRIDGE SET	5300105			
10:1 CARTRIDGE SET	5300110			
Pre-Filters	Part Number	Description		
0.1 PRE-FILTER 3 PK	5300000	1 Pack Contains 3 Pre-Filters		

Custom Flow Splits Available Upon Request

Perfect PEAK