

Did you know...

> There's an affordable inline filter for critical applications?

[7710 Series HyPulse® HyLine Filters](#) provide reliable filtration for separating solids from liquids or gases. These filters have 316 stainless steel housings and come standard with a Buna N housing seal to provide strength and dependability. Elements can have either 1" NPT pipe thread or double open ended connection configurations. Single or multi-tube elements cartridges are available depending upon the application requirements. The affordability of the 7710 Series Filter, along with the standard available options, make this filter the one you should have on-hand for analysis of your critical applications.

> 7710 Series Hyline Filters

Mott Inline Solutions

7710 Series Filters are designed for maximum operating pressures of 300 psi (housing) and include a ¼" NPT housing drain, ¼" NPT gauge ports and 1" FNPT line connections. Outside-In filter area is 0.54 ft². Each porous metal filter element is 100% leak tested to bubble point.

Equipment Specifications:

316L SS Porous Metal Media
316 SS Housing and Hardware

Maximum Operating Pressure: 300 psi (Housing)
Temperature Rating Based on O-Ring Selection
1" NPT Inlet/Outlet Housing Ports
¼" Gauge Ports
¼" NPT Housing Drain
Outside-In Filter Area: 0.54 Ft²
Filter Element 100% Leak Tested to Bubble Point



Applications:

- Liquids/Steam/Air/Gases
- Process Filter
- Sampling Filter
- Polishing Filter
- Pilot or Test Filtration (Feasibility, Filterability, Flow vs Delta P, Efficiency, Backwash Capability, Cake Characterization, Cake-Holding Capacity, Precoat Performance)

Filter Options:

Housings available for 10" Cartridges with either Double Open Ends/DOE or 1" NPT Connections.

Housing O-Ring Material: - B (Buna N) – Standard
- E (EPDM)

- S (Silicone)

- V (Viton A)

Filter Cartridge Types:

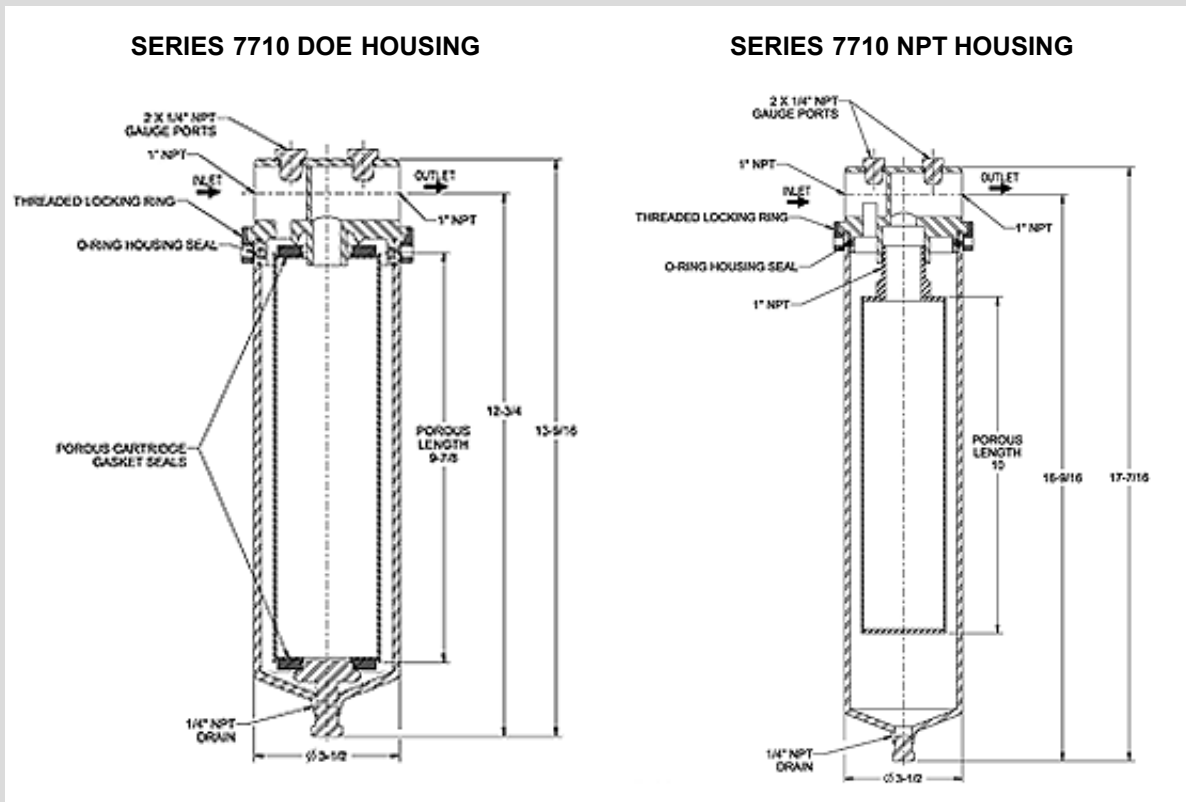
Double Open Ended/DOE	Gasket Seal Cartridge Connection (2 9/16" OD, 10" Long)
NPT Single Element Cartridge	1" NPT Hex Connection (2.5" OD, 10" Porous Length)
NPT Multi-Tube Element Cartridge	1" NPT Hex Connection (2.75" OD, 10" Porous Length)

XXX = Media Grades: 0.5, 2, 5, 10, 20, 40 (other media grades available – consult factory)

Note: Spare cartridges, housing o-rings, and cartridge gaskets are available upon request.

More information

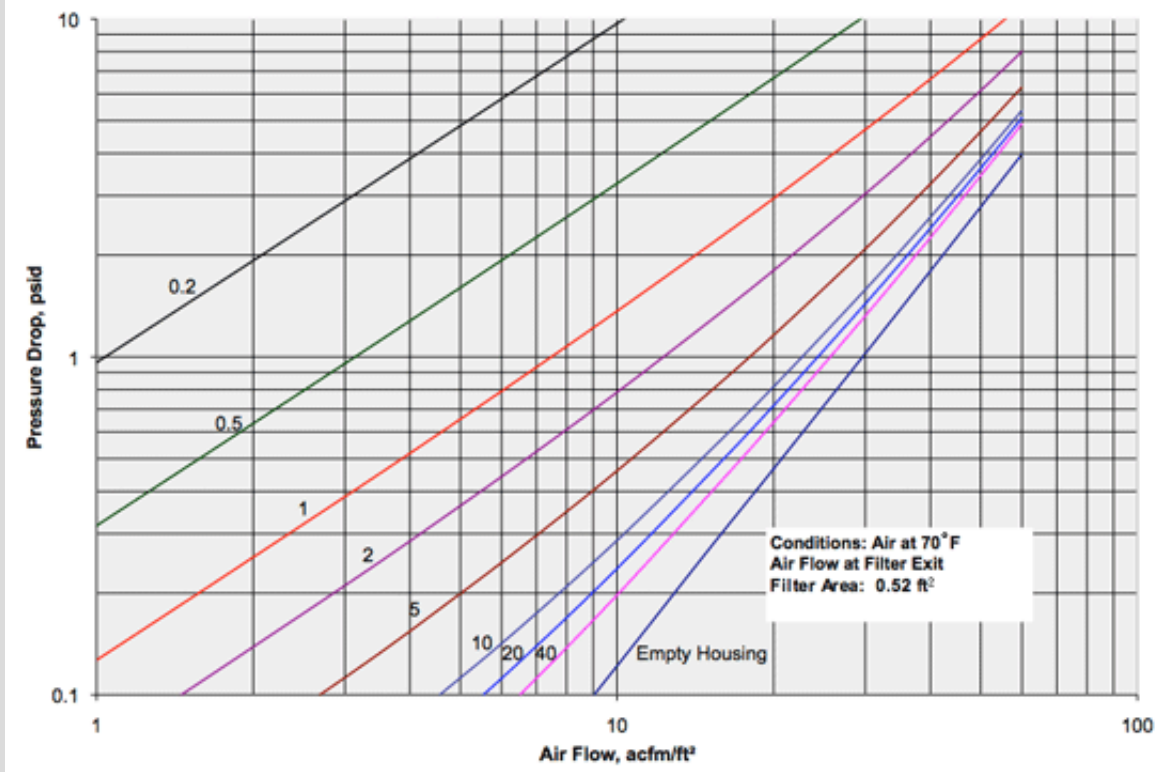
If you have any questions regarding your specific requirements and the application of Mott porous metal products, please contact us at Quest@mottcorp.com or visit our website at www.mottcorp.com.



Click either drawing for the [7710 Series datasheet](#) with higher resolution.

**Pressure Drop of Empty Housing
and Housing with 10" Cartridge
of Media Grade 0.2 - 40.0**

Media Grade
- 316L Stainless Steel
- Standard Thickness



Mott Corporation • 84 Spring Lane • Farmington, CT 06032
 Phone: 860-747-6333 • Fax: 860-747-6739 • U.S. Toll-Free: 800-289-6688 (800-BUY-MOTT)
 E-mail: quest@mottcorp.com